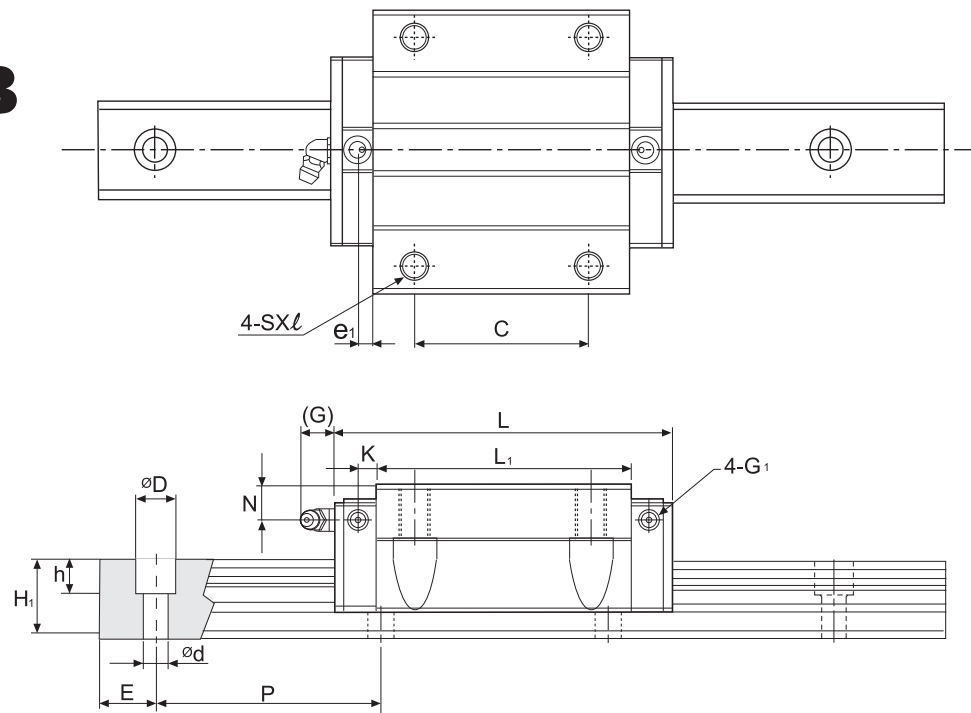
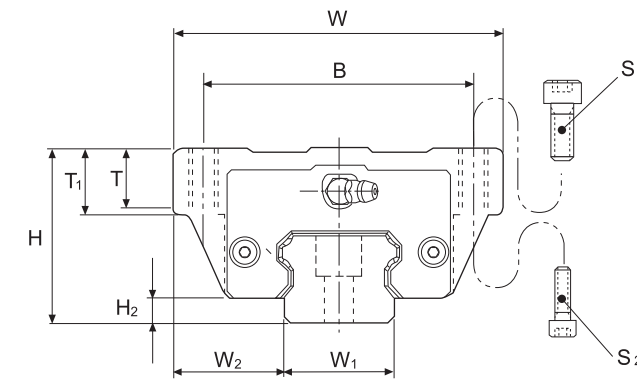
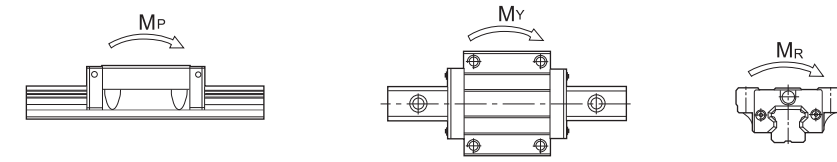


SME-EB SME-LEB

滾珠保持器型



| 型號 Model No. | 外形尺寸 External dimensions | | | 滑塊尺寸 Carriage dimensions | | | | | | | | | | | | | 油嘴規格 Grease nipple |
|-----------------|-----------------------------|------------------|-------------------|-----------------------------|----------------|----|----|-------|----------------|-----|----------------|-----|-----|-----|----------------|----------------|-----------------------|
| | 高度 Height H | 寬度 Width W | 長度 Length L | W ₂ | H ₂ | B | C | SxL | L ₁ | T | T ₁ | N | G | K | e ₁ | G ₁ | |
| SME 15 EB | 24 | 52 | 64.4 | 18.5 | 3.5 | 41 | 26 | M5x8 | 48 | 5.5 | 8 | 5 | 5.5 | 2.7 | - | M4 | G-M4 |
| SME 15 LEB | | | 79.4 | | | | 36 | | 63 | | | | | | | | |
| SME 20 EB | 28 | 59 | 78.5 | 19.5 | 4.7 | 49 | 32 | M6x10 | 58.3 | 7.0 | 8 | 6.0 | 12 | 3.7 | - | M4 | G-M6 |
| SME 20 LEB | | | 97.5 | | | | 45 | | 77.3 | | | | | | | | |
| SME 25 EB | 33 | 73 | 92 | 25 | 5.8 | 60 | 35 | M8x10 | 71 | 7.0 | 10 | 7.0 | 12 | 4.7 | - | M4 | G-M6 |
| SME 25 LEB | | | 109 | | | | 50 | | 88 | | | | | | | | |



| 型號 | 螺栓規格 | |
|-------|----------------|----------------|
| | S ₁ | S ₂ |
| SME15 | M5 | M4 |
| SME20 | M6 | M5 |
| SME25 | M8 | M6 |

單位(unit) : mm

| 滑軌尺寸 Rail dimension | | | | 基本額定負荷 Basic load rating | | 容許靜力距 Static moment rating | | | | 重量 Weight | | 型號 Model No. | |
|-------------------------------|--------------------------------|------------------|--------------------|-----------------------------|-----------------------------|-------------------------------|------|------------------------|------|------------------------|----------|-----------------|------------|
| 寬度 Width W ₁ | 高度 Height H ₁ | 節距 Pitch P | DxHxD E std. | 動負荷 C kN | 靜負荷 C ₀ kN | M _p kN-m | | M _y kN-m | | M _r kN-m | 滑塊 kg | | 滑軌 kg/m |
| | | | | | | 單* | 雙* | 單* | 雙* | | | | |
| 15 | 13 | 60 | 20 | 7.5x5.8x4.5 | 12.5 | 20.2 | 0.14 | 0.69 | 0.14 | 0.69 | 0.16 | 0.21 | 1.4 |
| | | | | | 15.4 | 27.5 | 0.25 | 1.15 | 0.25 | 1.15 | 0.21 | | |
| 20 | 15.5 | 60 | 20 | 9.5x8.5x6 | 20.4 | 32.1 | 0.27 | 1.34 | 0.27 | 1.34 | 0.33 | 0.39 | 2.3 |
| | | | | | 25.3 | 43.6 | 0.49 | 2.24 | 0.49 | 2.24 | 0.44 | | |
| 23 | 18 | 60 | 20 | 11x9x7 | 28.3 | 44.3 | 0.45 | 2.14 | 0.45 | 2.14 | 0.52 | 0.42 | 3.2 |
| | | | | | 33.0 | 56.1 | 0.71 | 3.20 | 0.71 | 3.20 | 0.66 | | |

註*: 單:單滑塊, 雙:雙滑塊緊密接觸

訂購例: **SME20EB** **2** **SS** + **R1240 - 20/20**

① ② ③ ④ ⑤

- ① 型號
- ② 1支軌道上滑塊之個數
1:1個, 2:2個, 3:3個...
- ③ 端面雙向密封墊片+底部密封墊片
- ④ 軌道長度(mm)
- ⑤ 軌道起始端及末端之孔距(E)

● 上述訂購例為N級之整組供貨型號