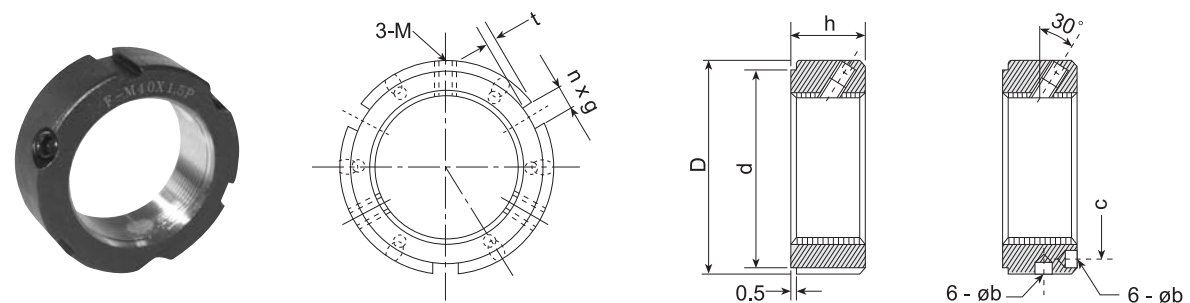


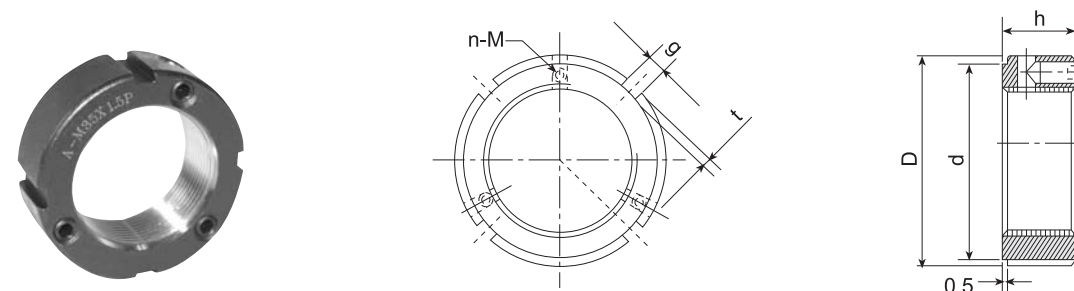
# YSF 牙腹鎖定



螺 牙 Thread	D	h	d	n x g / b	t / c	M	MAX.Nm
YSF M 17X1	32	16	27	3 x 4 / -	2	M5	4.5
YSF M 20X1	38		33		2		
YSF M 20X1.5			33		2		
YSF M 25X1.5	45	18	33	3 x 5 / -	2	M6	8.0
YSF M 30X1.5			40		2		
YSF M 35X1.5			52		47		
YSF M 40X1.5	58	20	52	3 x 6 / -	2.5	M8	18.0
YSF M 45X1.5	65		59		2.5		
YSF M 50X1.5	70		64		2.5		
YSF M 55X2	75	22	68	3 x 7 / φ6	65	M8	18.0
YSF M 60X2	80		73		70		
YSF M 65X2	85		78		75		
YSF M 70X2	92	24	84	3 x 8 / φ7	81	M8	18.0
YSF M 75X2	98		90		87		
YSF M 80X2	105		96		93		
YSF M 85X2	110	26	102	6 x 8 / φ7	98	M10	35.0
YSF M 90X2	120		108		105		
YSF M 95X2	125		113		110		
YSF M 100X2	130	28	118	6 x 10 / φ7	115	M10	35.0
YSF M 105X2	140		125		123		
YSF M 110X2	145		132		128		
YSF M 115X2	150	30	137	6 x 12 / φ7	133	M10	35.0
YSF M 120X2	155		142		138		
YSF M 125X2	160		147		143		
YSF M 130X2	165	32	152	6 x 14 / φ8	148	M12	60.0
YSF M 135X2	175		160		155		
YSF M 140X2	180		165		160		
YSF M 145X2	190	34	175	6 x 14 / φ8	168	M12	60.0
YSF M 150X2	195		180		173		
YSF M 155X3	200		180		178		
YSF M 160X3	210	36	190	6 x 16 / φ8	185	M12	60.0
YSF M 165X3	210		190		188		
YSF M 170X3	220		200		195		
YSF M 180X3	230	38	205	6 x 16 / φ8	205	M12	60.0
YSF M 190X3	240		215		215		
YSF M 200X3	250		225		225		

Remarks:(1)The data are for reference only. (2)1 Nm=10.2kgf.cm=0.73lb.ft

# YSA 軸向鎖定



螺 牙 Thread	D	h	g	t	d	n - M	MAX.Nm	
YSA M 17X1	32	16	4	2	27	2 - M4	3.5	
YSA M 20X1	38				33			33
YSA M 20X1.5					33			
YSA M 25X1.5	45	18	5	2	40	3 - M4	4.5	
YSA M 30X1.5					47			
YSA M 35X1.5					52			
YSA M 40X1.5	58	20	6	2.5	52	3 - M6	8.0	
YSA M 45X1.5	59							
YSA M 50X1.5	64							
YSA M 55X2	75	22	7	3	68	3 - M8	18.0	
YSA M 60X2	73							
YSA M 65X2	78							
YSA M 70X2	92	24	8	3.5	84	3 - M8	18.0	
YSA M 75X2	90							
YSA M 80X2	96							
YSA M 85X2	110	26	10	4	102	3 - M8	18.0	
YSA M 90X2	108							
YSA M 95X2	113							
YSA M 100X2	130	28	12	5	118	3 - M10	35.0	
YSA M 105X2	125							
YSA M 110X2	132							
YSA M 115X2	150	30	14	6	137	3 - M10	35.0	
YSA M 120X2	142							
YSA M 125X2	147							
YSA M 130X2	165	32	16	7	152	3 - M12	60.0	
YSA M 135X2	160							
YSA M 140X2	165							
YSA M 145X2	190	34	18	8	175	3 - M12	60.0	
YSA M 150X2	180							
YSA M 155X3	180							
YSA M 160X3	210	36	18	8	190	3 - M12	60.0	
YSA M 165X3	210							
YSA M 170X3	200							
YSA M 180X3	230	38	18	8	205	3 - M12	60.0	
YSA M 190X3	215							
YSA M 200X3	225							

Remarks:(1)The data are for reference only. (2)1 Nm=10.2kgf.cm=0.73lb.ft