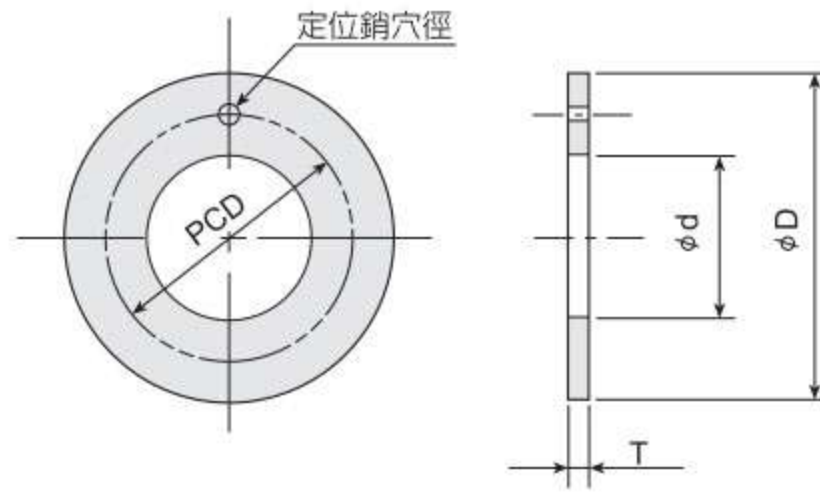


添加鐵氟龍系



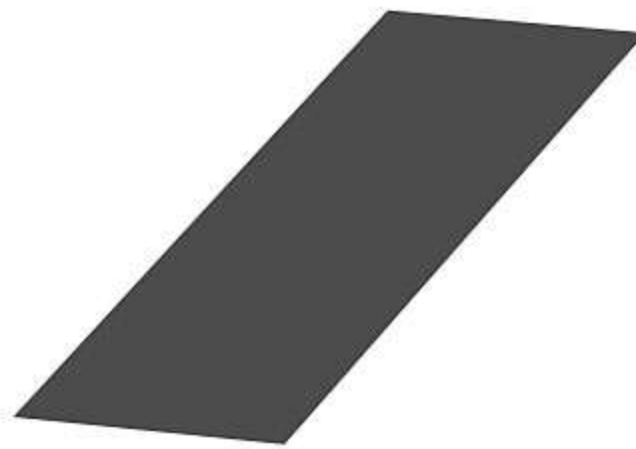
自潤DRYMET LF 墊圈(LFW)



尺寸 (mm)				裝配孔			
內徑		外徑		厚度 T		定位銷	
∅d	公差	∅D	公差	1.5	2.0	穴徑	公差
8	$+0.25$ 0	16	0 -0.25	LFW-0815		1	$+0.30$ $+0.10$
10	"	18	"	LFW-1015		"	"
12	"	24	"	LFW-1215		1.5	$+0.375$ $+0.125$
14	"	26	"	LFW-1415		2	"
16	"	30	"	LFW-1615		"	"
18	"	32	"	LFW-1815		"	"
20	"	36	"	LFW-2015		3	"
22	"	38	"	LFW-2215		"	"
24	"	42	"	LFW-2415		"	"
26	"	44	"	LFW-2615		"	"
28	"	48	"	LFW-2815		4	"
32	"	54	"	LFW-3215		"	"
38	"	62	"	LFW-3815		"	"
42	"	66	"	LFW-4215		"	"
48	"	74	"		LFW-4820	"	"
52	"	78	"		LFW-5220	"	"
62	"	90	"		LFW-6220	"	"

訂購型號
LFW-
 內徑 厚度

添加鐵氟龍系



自潤DRYMET LF 平板(LFP)

尺寸 (mm)		厚度			
寬度	長度	1.0	1.5	2.0	2.5
80	500	LFP-1080			
90	500		LFP-1590		
100	500			LFP-20100	
100	500				LFP-25100

訂購型號
LFP-
 厚度 寬度