

LMB 英制規格

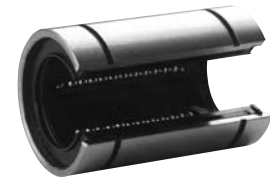
Inch Dimension Series Used Mainly In USA



標準型
Standard type

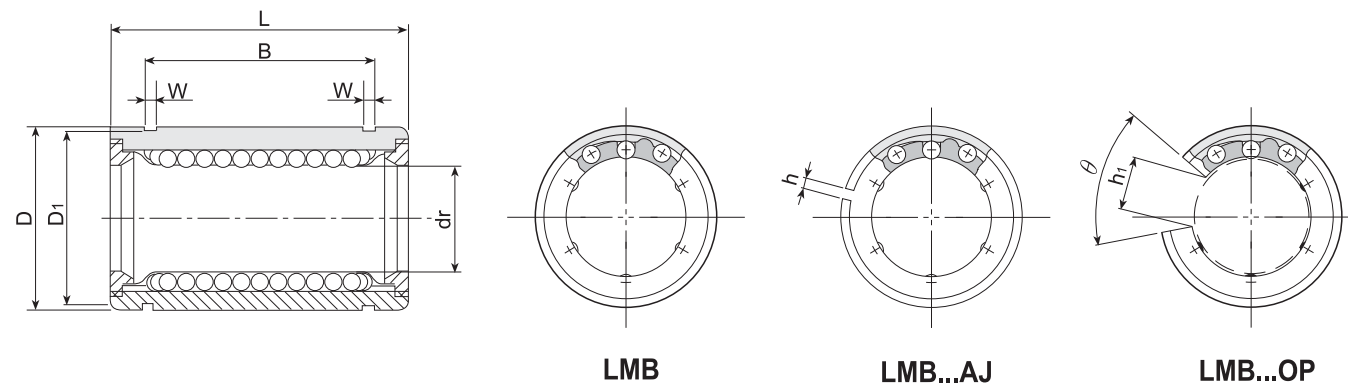


AJ型
AJ type



OP型
OP type

| 軸徑 Nominal shaft diameter mm | 型號 Model No. | | | | | | | | | | dr | | | |
|------------------------------------|------------------|-------------|--------------------------|-----------------------|-------------|-------------|--------------------------|-------------------|----------|---|--------------------------|-------------------|---------|--------------------|
| | LMB...UU | | 鋼珠 條數 Ball circuit | 重量 Weight g | LMB...AJ | | 鋼珠 條數 Ball circuit | 重量 Weight g | LMB...OP | | 鋼珠 條數 Ball circuit | 重量 Weight g | mm | 公差 Tolerance μm |
| | LMB...UU | LMB...UU-AJ | | | LMB...UU-OP | LMB...UU-OP | | | | | | | | |
| 6.350 | LMB4 LMB4UU | 4 | 8.0 | LMB4AJ LMB4UU-AJ | 4 | 7.5 | — | — | — | — | — | 6.350 | 0 -9 | |
| 9.525 | LMB6 LMB6UU | 4 | 14 | LMB6AJ LMB6UU-AJ | 4 | 13.5 | — | — | — | — | — | 9.525 | | |
| 12.700 | LMB8 LMB8UU | 4 | 37 | LMB8AJ LMB8UU-AJ | 4 | 36.5 | LMB8OP LMB8UU-OP | 3 | 28 | 3 | 28 | 12.700 | | |
| 15.875 | LMB10 LMB10UU | 5 | 76 | LMB10AJ LMB10UU-AJ | 5 | 74 | LMB10OP LMB10UU-OP | 4 | 57 | 4 | 57 | 15.875 | | |
| 19.050 | LMB12 LMB12UU | 5 | 95 | LMB12AJ LMB12UU-AJ | 5 | 93 | LMB12OP LMB12UU-OP | 4 | 76 | 4 | 76 | 19.050 | | |
| 25.400 | LMB16 LMB16UU | 6 | 200 | LMB16AJ LMB16UU-AJ | 6 | 198 | LMB16OP LMB16UU-OP | 5 | 170 | 5 | 170 | 25.400 | | |
| 31.750 | LMB20 LMB20UU | 6 | 440 | LMB20AJ LMB20UU-AJ | 6 | 430 | LMB20OP LMB20UU-OP | 5 | 370 | 5 | 370 | 31.750 | | |
| 38.100 | LMB24 LMB24UU | 6 | 670 | LMB24AJ LMB24UU-AJ | 6 | 660 | LMB24OP LMB24UU-OP | 5 | 570 | 5 | 570 | 38.100 | | |
| 50.800 | LMB32 LMB32UU | 6 | 1,140 | LMB32AJ LMB32UU-AJ | 6 | 1,120 | LMB32OP LMB32UU-OP | 5 | 980 | 5 | 980 | 50.800 | | |



| 主要尺寸及精度 Main dimensions and tolerance | | | | | | | | | | | 偏 心 Eccentricity μm | 徑向 間隙 Radial clearance (Max) μm | 基本定格荷重 Basic load rating | | 軸徑 Nominal shaft diameter mm | | | |
|---------------------------------------|-----------------------|---------|-----------------------|-----------|-----------------------|---------|-----------|---------|----------|-----|---------------------------|--|-----------------------------|--------------------------|--|--------|--------|--------|
| D mm | 公差 Tolerance μm | L mm | 公差 Tolerance μm | B mm | 公差 Tolerance μm | W mm | D1 mm | h mm | h1 mm | θ | | | 動定格 dynamic C(kgf) | 靜定格 static Co(kgf) | | | | |
| 12.700 | 0 -11 | 19.050 | 0 -200 | 12.98 | 0 -200 | 0.992 | 11.906 | 1 | — | — | 12 | -3 | 21 | 27 | 6.350 | | | |
| 15.875 | 0 -13 | 22.225 | | 16.15 | | 0.992 | 14.935 | 1 | — | — | | | 15 | -4 | -6 | 23 | 32 | 9.525 |
| 22.225 | | 31.750 | | 24.46 | | 1.168 | 20.853 | 1.5 | 8.700 | 80° | 52 | 79 | | | | 12.700 | | |
| 28.575 | 38.100 | 28.04 | | 1.422 | | 26.899 | 1.5 | 9.525 | 80° | 59 | 120 | 15.875 | | | | | | |
| 31.750 | 0 | 41.275 | | 0 -300 | | 29.61 | 0 -300 | 1.422 | 29.870 | 1.5 | 11.113 | 60° | 20 | -8 | 88 | 140 | 19.050 | |
| 39.688 | -16 | 57.150 | | | | 44.57 | | 1.727 | 37.306 | 1.5 | 11.800 | 50° | | | 100 | 160 | 25.400 | |
| 50.800 | 0 -16 | 66.675 | | | | 50.92 | | 1.727 | 47.904 | 2.5 | 15.875 | 50° | 25 | -13 | -13 | 160 | 280 | 31.750 |
| 60.325 | | 76.200 | | | | 61.26 | | 2.184 | 56.870 | 3 | 19.050 | 50° | | | | 222 | 410 | 38.100 |
| 76.200 | 0 -16 | 101.600 | | 81.07 | | 2.616 | 72.085 | 3 | 25.400 | 50° | 390 | 810 | 50.800 | | | | | |