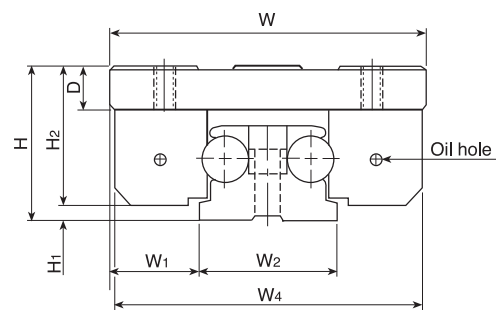


# LGD 軸心式滑軌(不生銹)

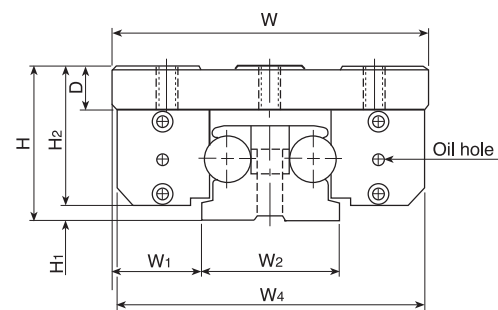
Anticorrosive Linear Guide

一個滑塊含4個滾輪軸承

One Block with 4 Rolling Bearings



LGD8 / LGD8L



LGD12 / LGD12L  
LGD16 / LGD16L

型號 Model No.	軸徑 Shaft diameter	組合尺寸 Dimensions of assembly			滑塊尺寸 Dimensions of block									
		H	H <sub>1</sub>	W <sub>1</sub>	W	W <sub>4</sub>	H <sub>2</sub>	D	L <sub>1</sub>	B	B <sub>1</sub>	C	C <sub>1</sub>	S <sub>1</sub> depth
		<b>LGD8</b>	8	30	3.5	16	60	59	26.5	9	70	40	10	50
<b>LGD8L</b>	100	80												
<b>LGD12</b>	12	40	3	23	82	80	37	12	100	27	14	38	12	M6x12
<b>LGD12L</b>									140			58		
<b>LGD16</b>	16	50	5	35	120	118	45	14	150	45	15	60	15	M8x16
<b>LGD16L</b>									190			80		

Example of identification number:

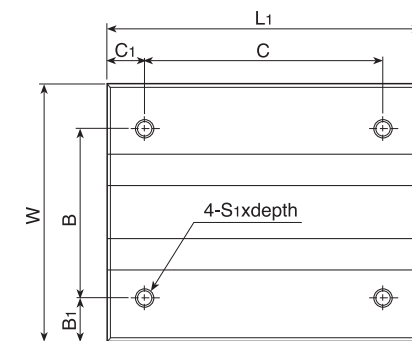
**LGD12-B2-R1800C**

① ② ③

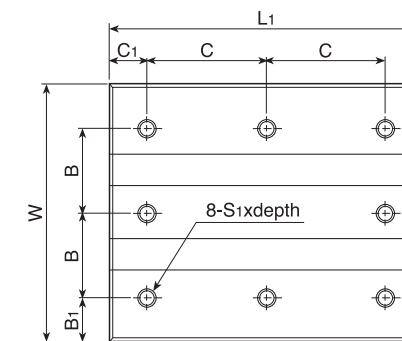
① Model No.

② Number of blocks per track rail:  
B1: 1 Block B2: 2 Blocks B3: 3 Blocks, ...

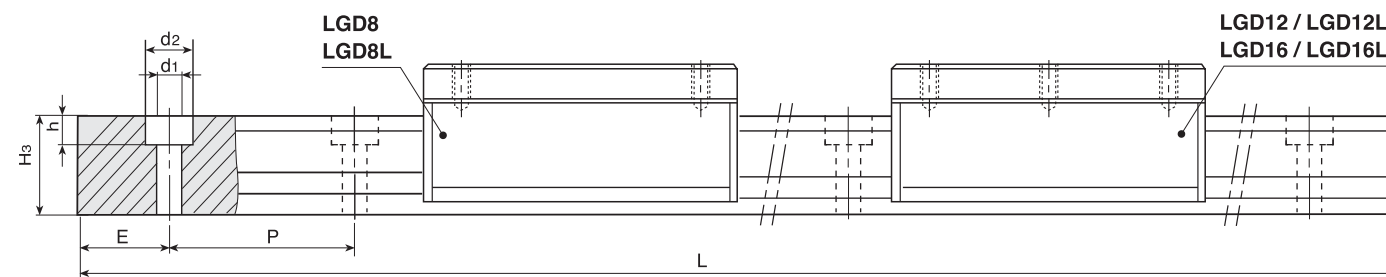
③ Length of track rail (1800mm):  
Shaft: Hardened(HRC 60±3)ground and chromium plated



LGD8  
LGD8L



LGD12 / LGD12L  
LGD16 / LGD16L



單位(unit) : mm

軌道尺寸 Dimensions of track rail								基本動格荷重 Basic dynamic load rating C (kgf)	基本靜定格荷重 Basic static load rating Co(kgf)	容許靜力矩 Allowable static moment			重量 Weight		型號 Model No.
W <sub>2</sub>	H <sub>3</sub>	d <sub>1</sub>	d <sub>2</sub>	h	P	E	L(max)			T <sub>0</sub> (kgf-m)	T <sub>x</sub> (kgf-m)	T <sub>y</sub> (kgf-m)	滑塊 Block (kg)	軌道 Track rail (kg/m)	
28.2 28.25	18.5	5.5	10	5.2	50	25	3,000	80	130	3.6	3.0	3.2	0.21	1.65	<b>LGD8</b>
										3.6	4.6	5.5	0.28		<b>LGD8L</b>
36	24.5	6.8	12.6	6.2	50	25	4,200	180	290	5.4	4.0	4.8	0.52	3.2	<b>LGD12</b>
										5.4	7.2	8.5	0.70		<b>LGD12L</b>
50	32	9	20	9	80	40	4,200	330	530	13.5	19.8	21.6	1.35	6.0	<b>LGD16</b>
										13.5	35.6	38.2	1.65		<b>LGD16L</b>

訂購例 :

**LGD12-B2-R1800C**

① ② ③

① 型號

② 1支滑軌上滑塊之個數:  
B1: 1個、B2: 2個、B3: 3個, ...

③ 滑軌長度(1800mm):  
軸心: 熱處理(HRC 60±3), 鍍硬鉻及研磨

