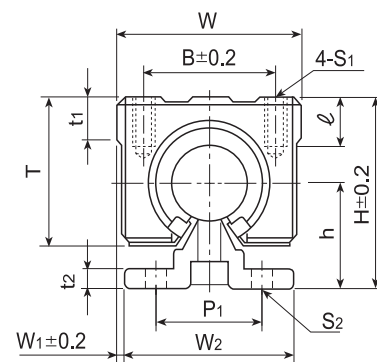
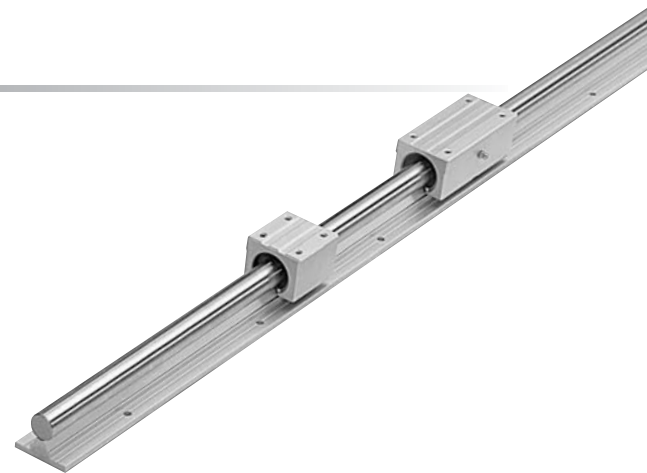
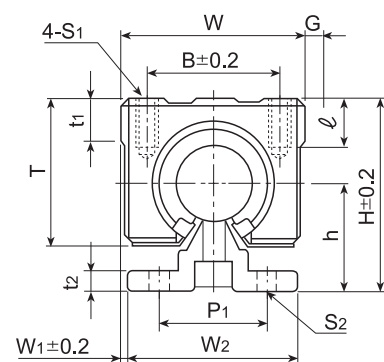


# LMC-C LMCL-C

軸心式滑軌(不生銹)  
Anticorrosive Linear Guide  
滑塊：線性軸承式  
Linear Block : Linear ball bearing type



**LMC-C**  
LMC-C12 ~ LMC-C40



**LMCL-C**  
(加長型/Long Type)  
LMCL-C12 ~ LMCL-C30

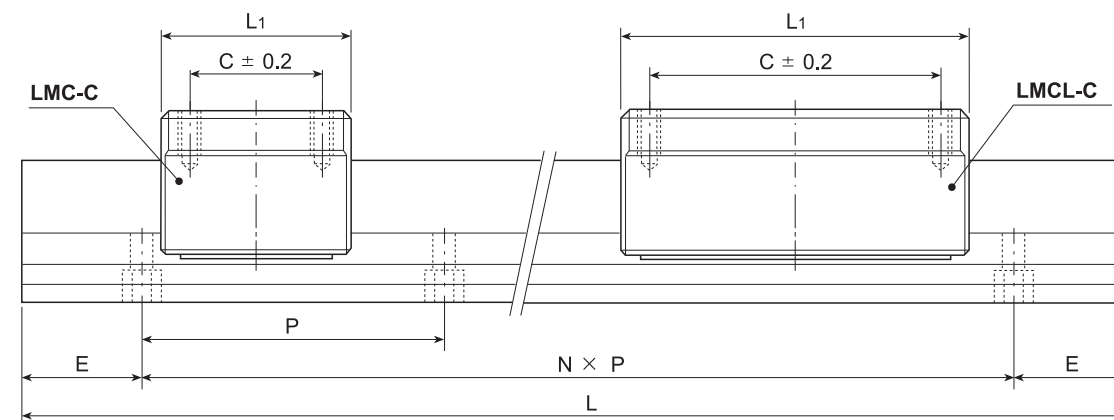
型號 Model No.	軸徑 Shaft diameter	組合尺寸 Dimensions of assembly				滑塊尺寸 Dimensions of block							
		H	h	W <sub>1</sub>	W	L <sub>1</sub>	B	C	t <sub>1</sub>	ℓ	S <sub>1</sub>	T	G
<b>LMC-C12</b>	12	34.5	19.5	2	36	34	26	24	7	10	M5	24	—
<b>LMCL-C12</b>						68		45					8
<b>LMC-C16</b>	16	45	25	2.5	45	45	32	30	9	12	M5	33	—
<b>LMCL-C16</b>						85		60					8
<b>LMC-C20</b>	20	50	27	1.5	48	50	35	35	11	12	M6	39	—
<b>LMCL-C20</b>						96		70					8
<b>LMC-C25</b>	25	60	33	2.5	60	65	40	40	14	12	M6	47	—
<b>LMCL-C25</b>						130		100					8
<b>LMC-C30</b>	30	70	37	5	70	70	50	50	15	18	M8	56	—
<b>LMCL-C30</b>						140		110					8
<b>LMC-C40</b>	40	90	48	7.5	90	90	65	65	20	20	M10	72	—

Example of identification number:

**LMC-C25-B2-2400**

① ② ③ ④

- ① Model No: LMC-C, LMCL-C
- ② Shaft Diameter (mm): Shaft : Hardened(HRC 60±3)ground and chromium plated  
Shaft type: SCFB(see page 16)
- ③ Number of blocks per track rail: B1: 1 Block B2: 2 Blocks B3: 3 Blocks,...
- ④ Length of track rail: (2400mm)



$$E: \frac{L-(N \times P)}{2}$$

N : 孔距之個數(number of pitches)

單位(unit) : mm

軌道尺寸 Dimensions of track rail						基本動定格荷重 Basic dynamic load rating	基本靜定格荷重 Basic static load rating	型號 Model No.
W <sub>2</sub>	P <sub>1</sub>	t <sub>2</sub>	P	S <sub>2</sub>	L (max)	C (kgf)	Co (kgf)	
32	23	4	100	4.5	3,600	42	61	<b>LMC-C12</b>
						84	122	<b>LMCL-C12</b>
40	30	5	150	5.5	3,600	79	120	<b>LMC-C16</b>
						158	240	<b>LMCL-C16</b>
45	30	5	150	5.5	4,200	90	140	<b>LMC-C20</b>
						180	280	<b>LMCL-C20</b>
55	35	6	200	6.5	4,200	100	160	<b>LMC-C25</b>
						200	320	<b>LMCL-C25</b>
60	40	7	200	6.5	4,200	160	280	<b>LMC-C30</b>
						320	560	<b>LMCL-C30</b>
75	55	9	300	9	4,200	220	410	<b>LMC-C40</b>

訂購例 :

**LMC-C25-B2-2400**

① ② ③ ④

- ① 型號 : LMC-C, LMCL-C
- ② 軸徑 (mm): 軸心熱處理(HRC 60±3)鍍硬鉻及研磨  
軸心 : SCFB(參閱16頁)
- ③ 1支滑軌上滑塊之個數 : B1 : 1個、B2 : 2個、B3 : 3個,...
- ④ 滑軌長度 : (2400mm)