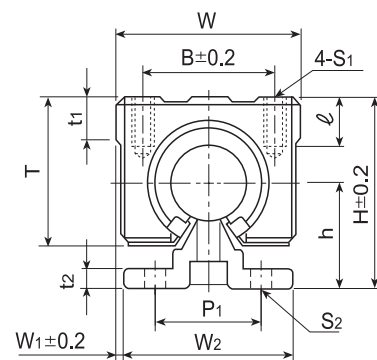


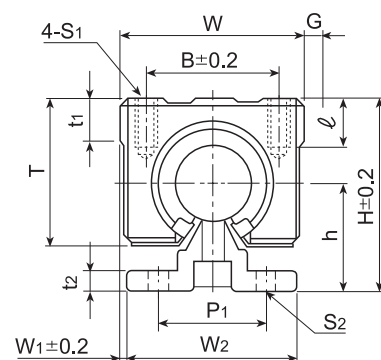
LMG-C 軸心式自潤滑軌(不生銹)

LMGL-C Anticorrosive Oilless Linear Guide

滑塊：自潤滑線性軸承式
Linear Block : Oilless bearing type



LMG-C
LMG-C12 ~ LMG-C40



LMGL-C
(加長型/Long Type)
LMGL-C12 ~ LMGL-C30

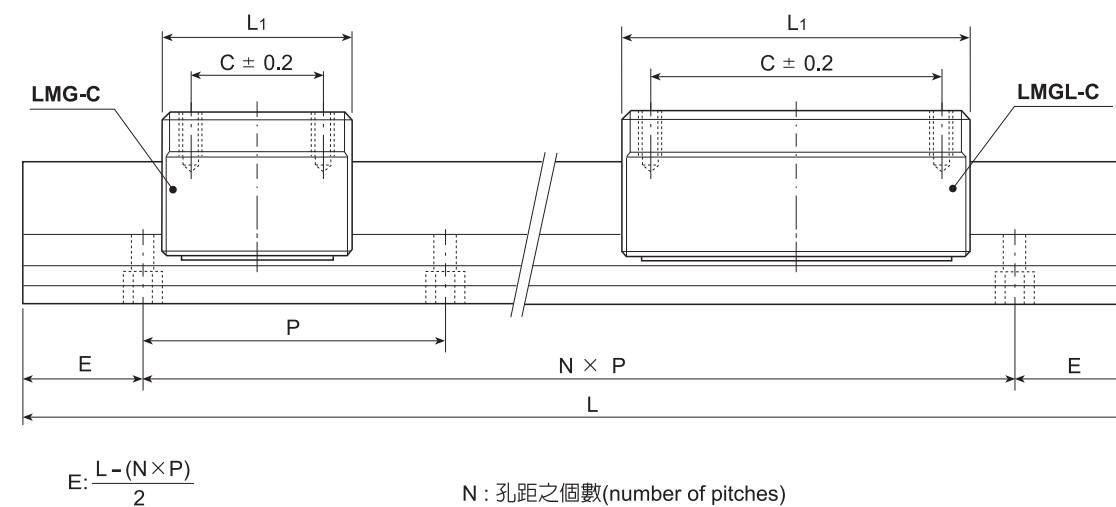
| 型號 Model No. | 軸徑 Shaft diameter | 組合尺寸 Dimensions of assembly | | | | 滑塊尺寸 Dimensions of block | | | | | | | |
|-----------------|----------------------|--------------------------------|------|----------------|----|-----------------------------|----|-----|----------------|----|----------------|----|---|
| | | H | h | W ₁ | W | L ₁ | B | C | t ₁ | ℓ | S ₁ | T | G |
| LMG-C12 | 12 | 34.5 | 19.5 | 2 | 36 | 34 | 26 | 24 | 7 | 10 | M5 | 24 | — |
| LMGL-C12 | | | | | | 68 | | 45 | | | | | 8 |
| LMG-C16 | 16 | 45 | 25 | 2.5 | 45 | 45 | 32 | 30 | 9 | 12 | M5 | 33 | — |
| LMGL-C16 | | | | | | 85 | | 60 | | | | | 8 |
| LMG-C20 | 20 | 50 | 27 | 1.5 | 48 | 50 | 35 | 35 | 11 | 12 | M6 | 39 | — |
| LMGL-C20 | | | | | | 96 | | 70 | | | | | 8 |
| LMG-C25 | 25 | 60 | 33 | 2.5 | 60 | 65 | 40 | 40 | 14 | 12 | M6 | 47 | — |
| LMGL-C25 | | | | | | 130 | | 100 | | | | | 8 |
| LMG-C30 | 30 | 70 | 37 | 5 | 70 | 70 | 50 | 50 | 15 | 18 | M8 | 56 | — |
| LMGL-C30 | | | | | | 140 | | 110 | | | | | 8 |
| LMG-C40 | 40 | 90 | 48 | 7.5 | 90 | 90 | 65 | 65 | 20 | 20 | M10 | 72 | — |

Example of identification number:

LMG-C25-B2-2400-CRS

① ② ③ ④ ⑤

- Model No: LMG-C, LMGL-C
- Shaft Diameter (mm)
- Number of blocks per track rail: B1: 1 Block B2: 2 Blocks B3: 3 Blocks,...
- Length of track rail: (2400mm)
- Blank: Shaft : Hardened(HRC 60±3)ground and chromium plated,Shaft type: SCFB(see page 16)
CRS : Shaft : ground and chromium plated,Shaft type: CRSB(see page 17)



單位(unit) : mm

| 軌道尺寸 Dimensions of track rail | | | | | | 最大靜荷重 Max Static Load | 最大速度(m/min) Velocity Max (m/min) | | 型號 Model No. |
|----------------------------------|----------------|----------------|-----|----------------|---------|-------------------------------|-------------------------------------|-------------------|-----------------|
| W ₂ | P ₁ | t ₂ | P | S ₂ | L (max) | Kgf / 1個滑塊 Kgf / One Block | 無給油 Dry | 給油 Lubrication | |
| 32 | 23 | 4 | 100 | 4.5 | 3,600 | 340 | 40 | 120 | LMG-C12 |
| | | | | | | 680 | 40 | 120 | LMGL-C12 |
| 40 | 30 | 5 | 150 | 5.5 | 3,600 | 620 | 40 | 120 | LMG-C16 |
| | | | | | | 1,240 | 40 | 120 | LMGL-C16 |
| 45 | 30 | 5 | 150 | 5.5 | 4,200 | 880 | 40 | 120 | LMG-C20 |
| | | | | | | 1,760 | 40 | 120 | LMGL-C20 |
| 55 | 35 | 6 | 200 | 6.5 | 4,200 | 1,500 | 40 | 120 | LMG-C25 |
| | | | | | | 3,000 | 40 | 120 | LMGL-C25 |
| 60 | 40 | 7 | 200 | 6.5 | 4,200 | 2,000 | 40 | 120 | LMG-C30 |
| | | | | | | 4,000 | 40 | 120 | LMGL-C30 |
| 75 | 55 | 9 | 300 | 9 | 4,200 | 3,300 | 40 | 120 | LMG-C40 |

訂購例 :

LMG-C25-B2-2400-CRS

① ② ③ ④ ⑤

- 型號 : LMG-C, LMGL-C
- 軸徑(mm)
- 1支滑軌上滑塊之個數 : B1 : 1個、B2 : 2個、B3 : 3個,...
- 滑軌長度 : (2400mm)
- 無記號 : 軸心熱處理(HRC 60±3)鍍硬鉻及研磨, 軸心: SCFB (參閱16頁)
CRS : 軸心鍍硬鉻及研磨, 軸心: CRSB (參閱17頁)